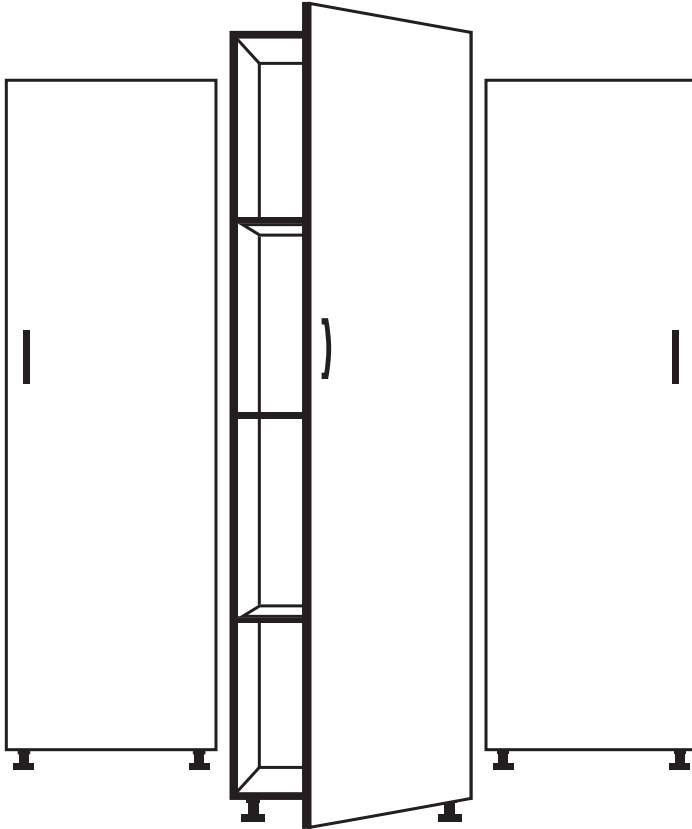


**Thank You For Purchasing  
Our Best Two Foot Wide Garage Cabinets**

# Tall 1 Door Cabinet Assembly Instructions



90" tall x 24" wide x 24" deep | 90" tall x 24" wide x 20" deep  
80" tall x 24" wide x 24" deep | 80" tall x 24" wide x 20" deep



3060 El Cerrito Plaza Ste 156  
El Cerrito, CA 94530  
Office: (800) 764-5163  
[www.betterstoragesolution.com](http://www.betterstoragesolution.com)  
[support@betterstoragesolution.com](mailto:support@betterstoragesolution.com)  
©2021 betterstoragesolution.com

## **Oversized 2 Foot Wide Garage Cabinets**

Here at A Better Storage Solution, we provide cabinets that are 90" or 80" tall x 24" wide x 24" or 20" deep (800 lb total capacity).

Our Cabinets are not what you call butt jointed together but are interlocking together which are tongue and grooved.

We have leg levelers on the bottom of our cabinets for additional support. The 24" wide 24" or 20" deep cabinets come with 4 legs.

Our legs are ordered to fit. The options are 6", 9" or 12" high depending on how high your stem wall or foundation lip is in the back of the garage floor.

Our side panels, tops and bottoms of our cabinets are all 3/4" thick.

All our joints are glued together with type bond II glue for the best bond possible.

Our cabinets have no push pins, but instead have an exclusive Z-Clip for maximum shelf support. We have 1/2" thick backs so we can place a clip down the middle, so our shelves do not bow. The shelf rating is 350lbs per shelf.

We have adjustable slotted side walls that are one of a kind in the market.

The 3/4" thick shelves provided are slotted as well that allow them to slide over the clips and set down into them.

Our door has 4 hinges and are all mortised on the side of the door. They are stronger and built for garages and open a full 180 degrees.

Our garage cabinets are better than other online retailers because of our exclusive Z-Clip, 3/4" thick shelves (350 Lb. capacity) and of course our 90" or 80" tall x 24" wide x 24" or 20" deep size.

Other retailers only sale 32"-36" wide, 16"-20" deep and 80"-84" tall garage cabinets. We can give our customers a Superior AND Bigger Garage Cabinet for the same price.



## Gathering Tools And Materials

Before you begin, gather the required tools and components listed below and ensure all are accounted for.

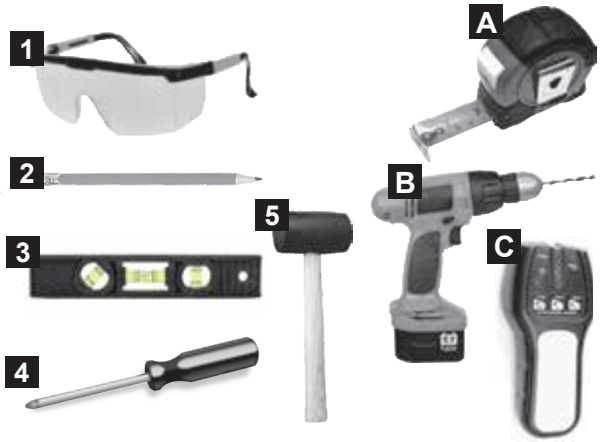
If any of the listed components in your packaging are missing, please call (510) 260-0590 To have them sent directly to you.

### Required Tools:

1. Safety Glasses
2. Pencil
3. Level
4. Phillips Head (Star) Screwdriver
5. Rubber Mallet

### Optional:

- A. Tape Measure
  - B. Drill Driver w/ Phillips Bits
  - C. Stud Finder
- *Just makes things easier*

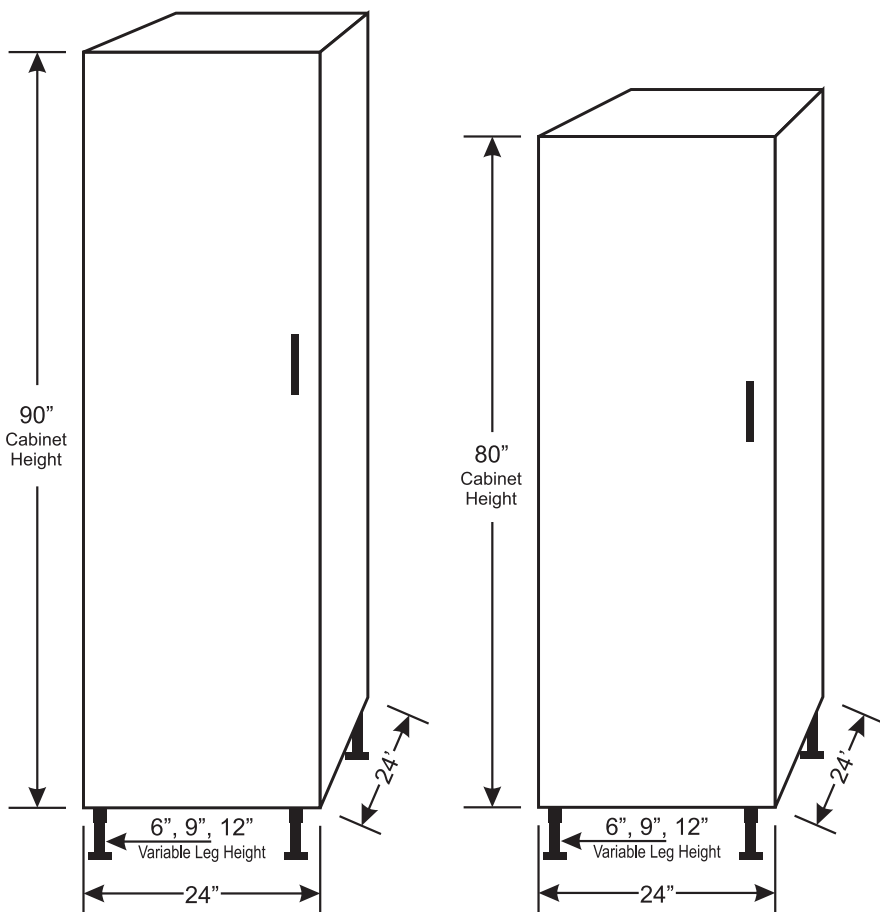


### Components:

QTY.	Part Description	Dimensions
1	Toe Kick Shelf	20"x23 $\frac{1}{2}$ "x $\frac{3}{4}$ "
2	Side Panels	91" or 81"x24" or 20" x $\frac{3}{4}$ "
2	Fixed Shelves	23"x23" or 19" x $\frac{3}{4}$ "
1	Back Panel	90 $\frac{1}{2}$ " or 80 $\frac{1}{2}$ "x23 $\frac{1}{2}$ "x $\frac{1}{2}$ "
3	Adjustable Shelves	23 $\frac{5}{16}$ "x22 $\frac{1}{4}$ " or 18 $\frac{1}{4}$ "x $\frac{3}{4}$ "
1	Door	90 $\frac{5}{8}$ " or 80 $\frac{5}{8}$ "x23 $\frac{1}{2}$ "x $\frac{5}{8}$ "
1	Bottle of Glue	4 oz.
15	Back Screws	1 $\frac{1}{2}$ "
12	Fastening Screws	2"
16	Bronze Pan Head Screws	$\frac{3}{4}$ "
6	Wall Attachment Screws	3 $\frac{1}{2}$ "
4	Leg Levelers	Adjusts from 3 $\frac{1}{2}$ " to 5 $\frac{1}{2}$ "
4	Leg Leveler Cups	
1	Handles (Black)	
4	Hinges	
12	Z-Clips	

90" tall x 24" wide x 24" deep | 90" tall x 24" wide x 20" deep  
80" tall x 24" wide x 24" deep | 80" tall x 24" wide x 20" deep

# 1 Door Cabinet Assembly Instructions



**Let's Begin...**

## Section 1: Toe Kick Assembly



STEP 1

Install the 4 leg leveler cups on all corners 20" deep x 23½" wide Toe Kick shelf with the ¾ bronze pan screws provided.

- Tape Measure can be helpful here.

**When using a drill driver, do not over tighten. Always complete final torque with screwdriver to avoid stripping.**



STEP 2

Mount all 4 leg levelers into mounting cups. This assembly is called the Toe Kick and is now ready for cabinet installation.

Turn the assembly over so that the levelers are facing the floor.

Place Toe Kick where the assembled cabinet will be installed.

## Section 2: Frame Assembly



Prepare both side panels, bottom and top fixed shelves for Installation.

STEP  
**3**

FIG 3



STEP  
**4**

FIG 4

Using the provided glue, apply liberal bead on both side panel top and bottom ends.



FIG 5

STEP 5

Connect the right side panel to bottom and top fixed shelves.

Make sure black edges are facing down on all fixed shelves.

Use the 2" screws provided and drive screws into the pre-drilled holes.

**When using a drill driver, do not over tighten. Always complete final torque with screwdriver to avoid stripping.**



FIG 6

STEP 6

Connect the left side panel to bottom and top shelves.

Make sure black edges are facing down.

Use the 2" screws provided and drive into the pre-drilled holes.

**When using a drill driver, do not over tighten. Always complete final torque with screwdriver to avoid stripping.**

### Section 3: Back Assembly



FIG 7

STEP 7

Apply the glue into the inside edges of the left and right-side panels.



FIG 8

STEP 8

Place the back panel into the side panel joints so the middle slots are facing down and the pre-drilled holes are facing towards top of cabinet.

Square up cabinet by using a rubber mallet and tapping the corners so the back panel is lined up with each bottom and top shelf.

- Tape Measure can be helpful here.



STEP

9

Layout the provided 1 1/2" screws needed to install on back panel.

Drive the 1 1/2" screws into the pre-drilled holes of both back panels around the whole perimeter of the back of cabinet.

**When using a drill driver, do not over tighten. Always complete final torque with screwdriver to avoid stripping.**



FIG 9

## Section 4: Cabinet Install



STEP **10**

FIG 10

Place Toe Kick against the wall or stem wall adjust leg levelers to desired height, and then level.

Find studs on wall to mount cabinet.



STEP **11**

FIG 11

Stand up the cabinet with the back facing towards the Toe Kick and lean cabinet forward.

STEP **12**



FIG 12

Tip cabinet onto the Toe Kick and slide cabinet against the wall.

Drive the six 3 1/2" cabinet screws provided through cabinet back panels securely into the wall studs behind.

**When using a drill driver, do not over tighten. Always complete final torque with screwdriver to avoid stripping.**

**STOP! You should be here.**

If your cabinet does not look like this, please stop, go back, and re-read over the instructions again.

**If you are unable to figure out why your cabinet does not look like this, please call us at. We'll talk you through it.**



---

**If your cabinet does look like this, Great! Let's continue to step 13.**

## Section 5: Door, Shelf, Handle Assembly

STEP **13**

Insert 4 Z-Clips per shelf into slots and place the 3 Adjustable shelves down into the clips.

Z-Clip



FIG 13



STEP **14**

Mount 4 hinges on the door by sliding the hinge into the mortise groove and tighten single screw plate.

**When using a drill driver, do not over tighten. Always complete final torque with screwdriver to avoid stripping.**

FIG 14

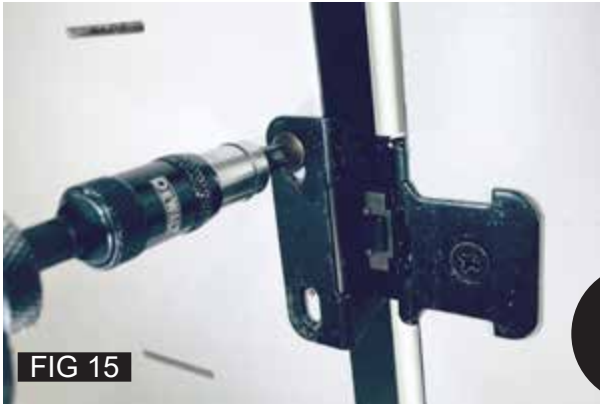


FIG 15

STEP 15

Hold door securely and screw the  $\frac{3}{4}$ " bronze pan screws provided into pre-marked holes on side panel.

**When using a drill driver, do not over tighten. Always complete final torque with screwdriver to avoid stripping.**



FIG 16

STEP 16

Close door and make sure door is square to the top and bottom shelves.

- Tape Measure can be helpful here.



FIG 17

STEP 17

Open and close door and check to make sure it is level and plum.

If not level or plum, you may have to adjust by shimming the back of the cabinet out or hyper-extending one or more of the hinges so door shut properly.

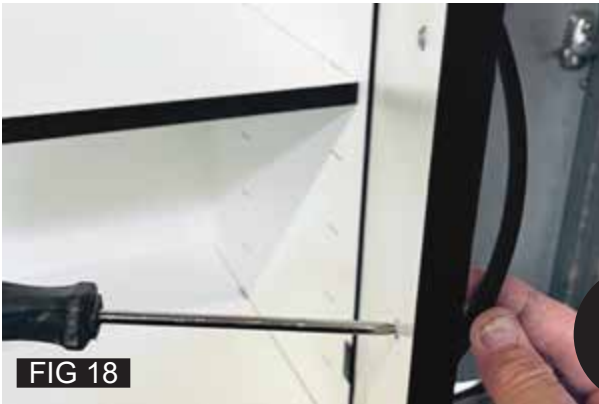


FIG 18

STEP 18

Mount handle with the 1" course threaded screws provided into the pre-drilled holes and tighten until handle is secure.

**Assembly Install Complete!**  
**Congratulations!**  
**Your cabinet is finished.**



### **Questions Or Concerns?**

If you have any questions or concerns we are available to help you over the phone at (800) 764-5163. Our customer service is waiting to answer any questions you might have.

### **Need Help With Installation?**

If you have read through these instructions and have decided that you do not feel comfortable or do not want to spend the time installing this cabinet yourself, no problem. We may have a Certified Dealers in your area that would be happy to install your new cabinets for you. Call us at (800) 764-5163.



## **LIMITED LIFETIME WARRANTY**

For a period of (30) thirty days from the date of purchase, should you not be satisfied with your product, you are entitled to a full refund less taxes, shipping & handling costs paid by the buyer.

**What Is Covered?** A Better Storage Solution. (ABSS) warrants its cabinet materials from manufacturing defects and defects from the product's workmanship for the lifetime of the product. The Limited Lifetime Warranty applies to the original Purchaser. The original Purchaser must provide the original sales receipt and proof of purchase from an approved dealer with any request for warranty claims.

**What Will ABSS Do?** During the warranty period, ABSS will repair or replace any product that fails to perform to ABSS specifications. Such repair or replacement shall be determined by ABSS and shall be limited to necessary adjustments or parts replacement and does not include re-installation at the installation site. Re-installation is the responsibility of the original Purchaser. This warranty does not cover any labor costs associated with service, removal or re-installation of parts. At the option of ABSS, the original purchase price may be refunded to the original Purchaser for a full refund and complete compensation of defect. Please contact the ABSS Dealer with whom the original purchase was made. Taxes, shipping and handling charges will be the sole liability of the original Purchaser.

**What Is Not Covered?** The warranty applies to the original Purchaser for home, personal use only. No coverage is provided if the product is transferred to another structure. The original Purchaser must provide proof of purchase and the original receipt for coverage to be in effect. The warranty will be in effect only when the storage unit is properly installed by the original Purchaser or certified dealer and the defect is not a result of improper or abusive treatment or improper installation. Coverage is not provided for discoloration, corrosion, rust or physical damage. Damage is not covered if storage loads are not evenly dispersed, as outlined in this manual, or the maximum load capacity exceeds 350 lbs per shelf or 1200 lbs per cabinet. If any other parts (not provided by the ABSS manufacturer) are used in conjunction with the ABSS product, the warranty shall be void.

THE WARRANTY WILL NOT BE IN EFFECT SHOULD THE INSTALLATION NOT ADHERE TO THE PUBLISHED INSTALLATION INSTRUCTIONS PROVIDED WITH EACH UNIT. THE WARRANTY DOES NOT PROVIDE COVERAGE IF THE PRODUCT MALFUNCTION IS DUE TO SHIPPING DAMAGE, PRODUCT MODIFICATION, IMPROPER INSTALLATION, IMPROPER MAINTENANCE, EFFECTS FROM BEING CONTACTED WITH A VEHICLE OR ANY OF ITS PARTS, OR CLAIMS MADE OUTSIDE THE WARRANTY PERIOD.

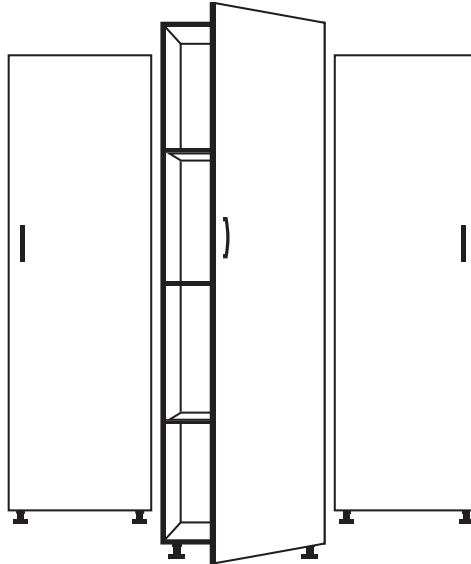
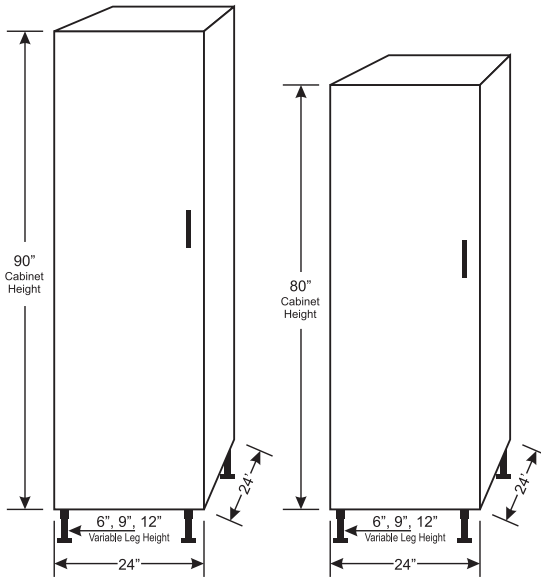
**Warranty Limitations:** No other warranties are expressed or implied for the storage product. In the absence of an implied warranty period under state law, seven years shall be the term of the implied warranty. ABSS makes no other warranties under the terms of the Limited Lifetime Warranty and the option of repair or replacement is ABSS's only obligation. ABSS is not responsible for any other special, consequential (including substrate failure) or incidental damages resulting from the purchase or installation of the unit, regardless of cause. Liability for any such losses (including, but not limited to, financial loss, or loss of facilities use) regardless of cause or breach of implied warranty is expressly disclaimed and excluded herein. Upon installing any ABSS cabinet storage unit, the customer agrees that he/she is utilizing the ABSS cabinet storage unit for personal, non- commercial, use only. By installing any ABSS cabinet storage unit, the customer agrees to the warranty and agrees that the delivered product was to his/her satisfaction and that installation was done per the - instructions outlined in the "Assembly Instructions" manual provided with the purchased unit.

**How State Law Relates To The Warranty:** Please consult your state's laws regarding warranties. You may have rights in addition to the Limited Warranty. Some states do not allow limitations on how long an implied warranty lasts or limitations on incidental or consequential damages. So the above limitations or exclusions may not apply to you.

Outside the 50 United States and Canada, this warranty does not apply.

**Keep this document and your sales/installation receipt together for future reference. To activate this warranty, you must register your products within 30 days of purchase. You can register at [www.betterstoragesolution.com](http://www.betterstoragesolution.com); these documents are required for warranty service.**

# Thank You Again For Purchasing Our Best Two Foot Wide Garage Cabinets



**A Better  
Storage  
Solution**  
Custom & DIY Storage to Organize Your Lives

3060 El Cerrito Plaza Ste 156  
El Cerrito, CA 94530  
Office: (800) 764-5163  
[www.betterstoragesolution.com](http://www.betterstoragesolution.com)  
[support@betterstoragesolution.com](mailto:support@betterstoragesolution.com)  
©2021 betterstoragesolution.com